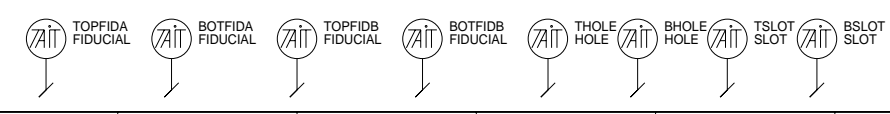
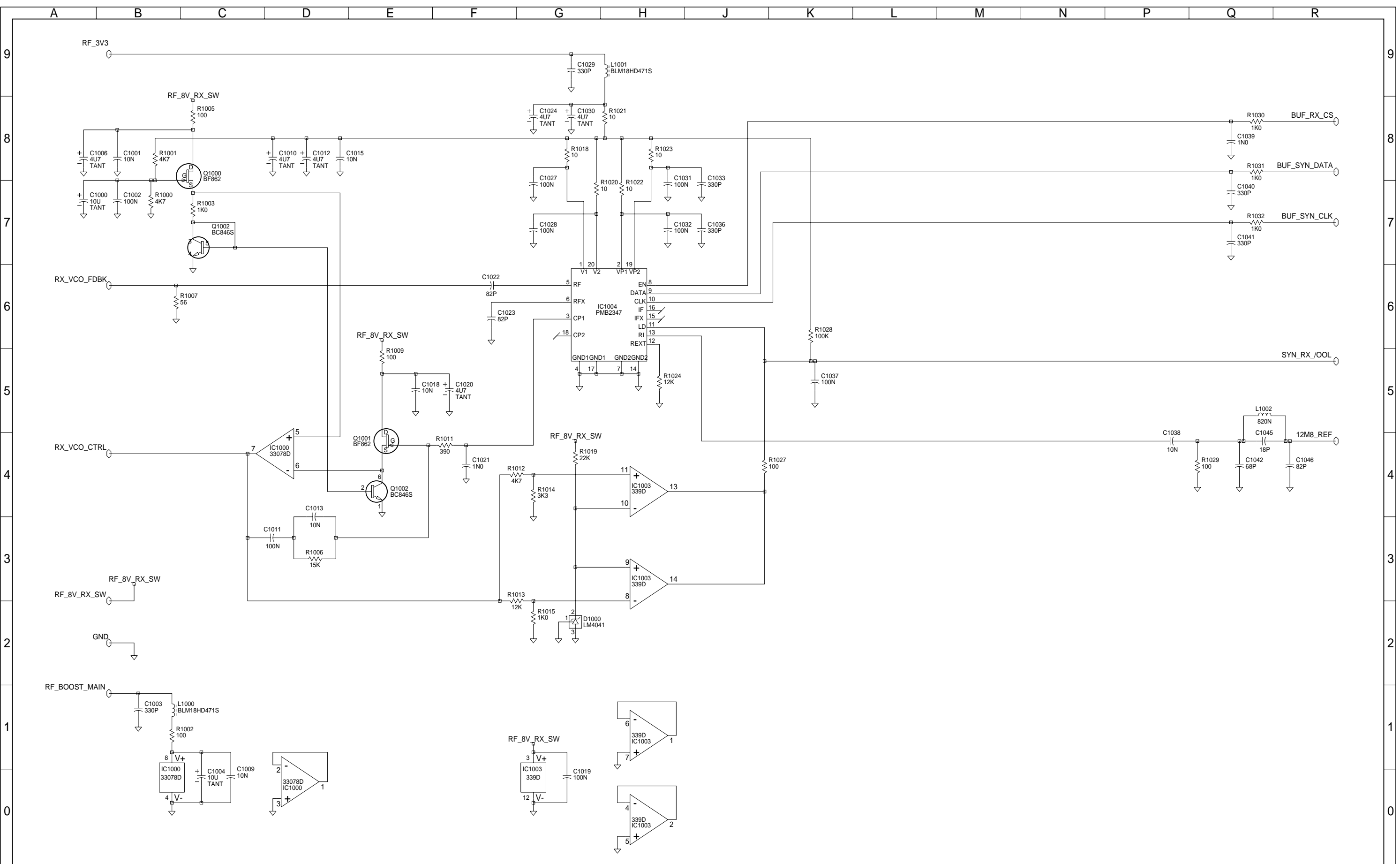


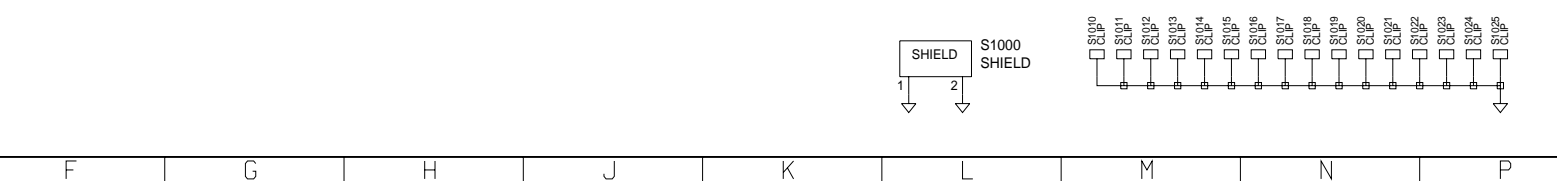
01A	CLONED FROM 226-00252-01	PAUL G			12/06/02
02A	DCO 00252 -00XXXX			CJK	10-05-02
01A	INITIAL ISSUE	GS & SH	GS & SH	CJK	23-04-02
REV/ISS	AMENDMENTS	DRAWN	CHKD	D.O.	APVD DATE



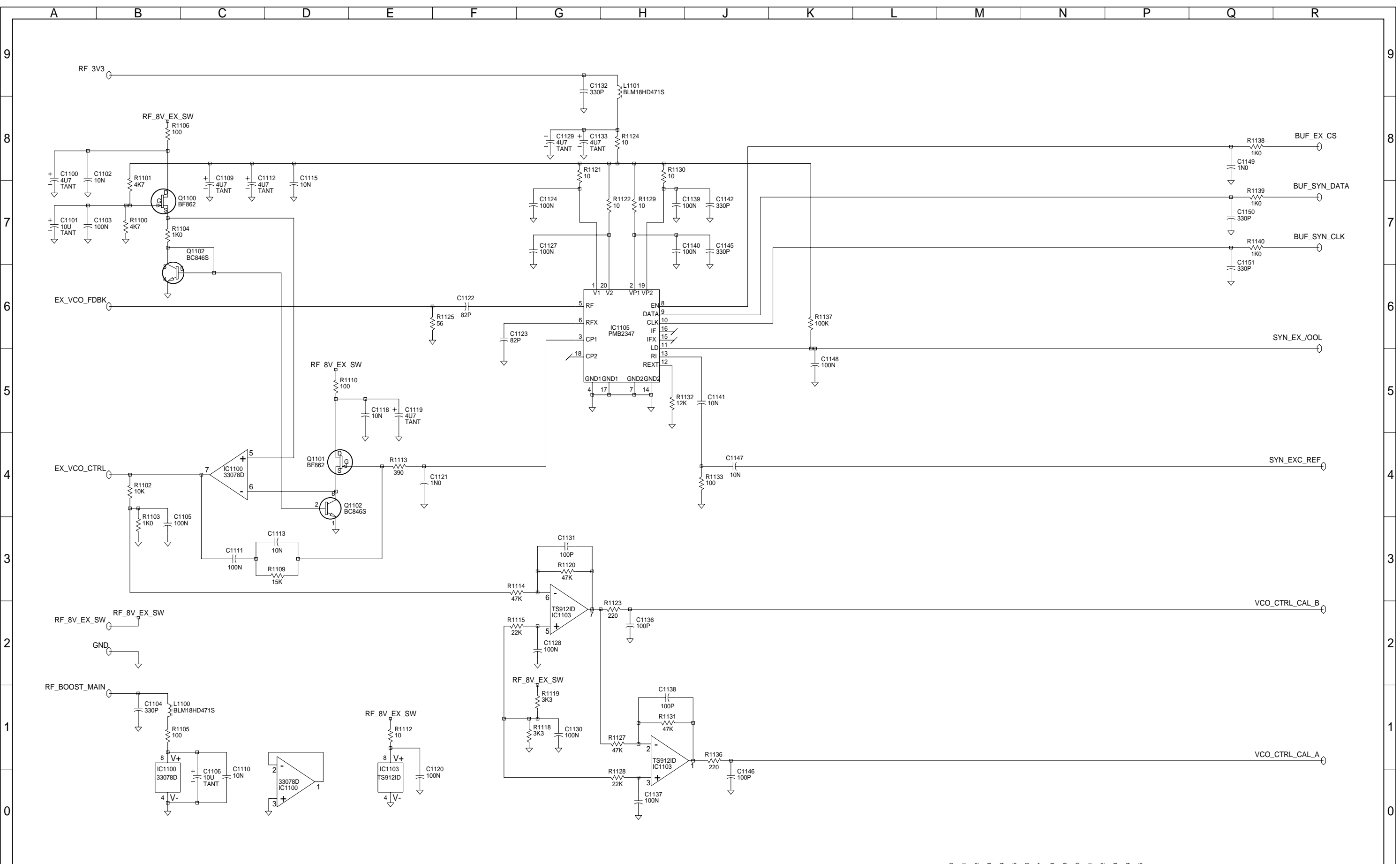
© TAIT ELECTRONICS				
T8000 RECITER TOP LEVEL				
IPN: 220-02025-01	ISSUE: A	FILE NAME: 0202501a	FILE DATE: 13-Jun-02	ID: 2.SC. 1
PROJECT: T8000	DESIGNER: GS.SH	NO. SHEETS: 15		



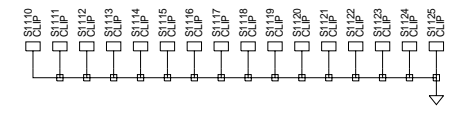
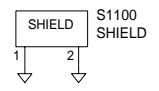
01A	CLONED FROM 226-00252-01	PAUL G			12/06/02
REV/ISS	AMENDMENTS	DRAWN	CHKD	D.O.	APVD DATE



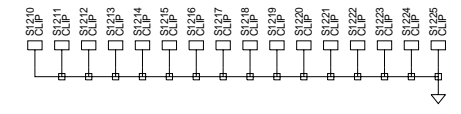
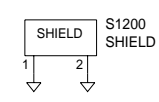
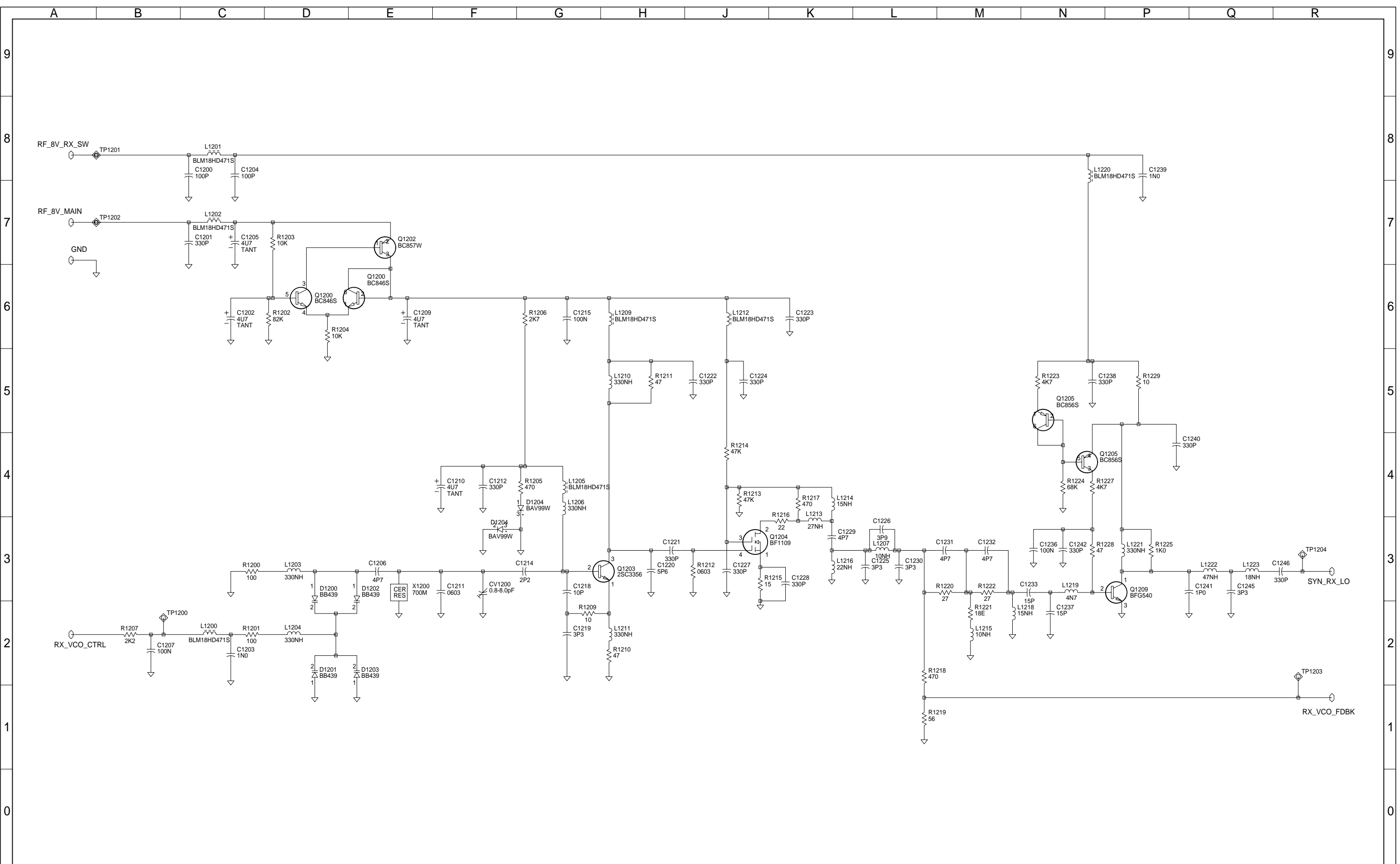
© TAIT ELECTRONICS
T8000 RECEIVER SYNTH
 IPN: 220-02025-01 ISSUE: A ID: 2.S.C. 10
 PROJECT: T8000 DESIGNER: GS.SH FILE NAME: 0202501a FILE DATE: 13-Jun-02 NO.SHEETS: 15



01A	CLONED FROM 226-00252-01	PAUL G			12/06/02
REV/ISS	AMENDMENTS	DRAWN	CHKD	D.O.	APVD DATE

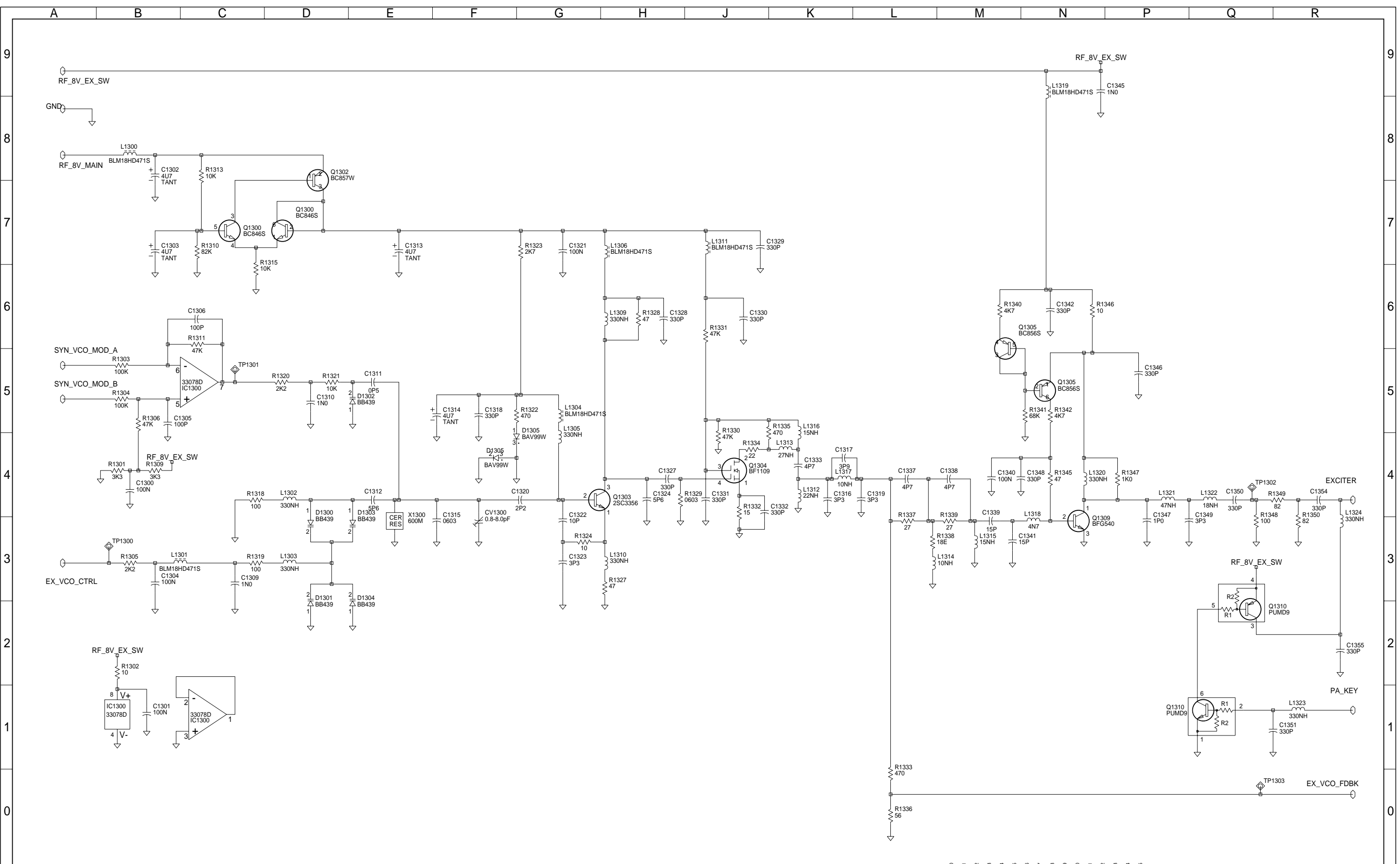


© TAIT ELECTRONICS
T8000
EXCITER SYNTH
 IPN: 220-02025-01 ISSUE: A ID: 2.SC. 11
 PROJECT: T8000 DESIGNER: GS.SH FILE NAME: 0202501a FILE DATE: 13-Jun-02 NO.SHEETS: 15

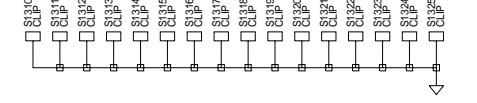
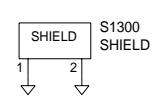


© TAIT ELECTRONICS	
T8000 RECEIVER VCO	
IPN: 220-02025-01	ISSUE: A
PROJECT: T8000	FILE DATE: 13-Jun-02
DESIGNER: GS.SH	NO. SHEETS: 15

01A	CLONED FROM 226-00252-01	PAUL G			12/06/02
REV/ISS	AMENDMENTS	DRAWN	CHKD	D.O.	APVD DATE



01A	CLONED FROM 226-00252-01	PAUL G			12/06/02
REV/ISS	AMENDMENTS	DRAWN	CHKD	D.O.	APVD DATE

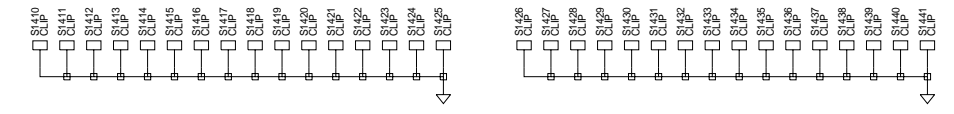
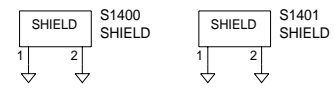
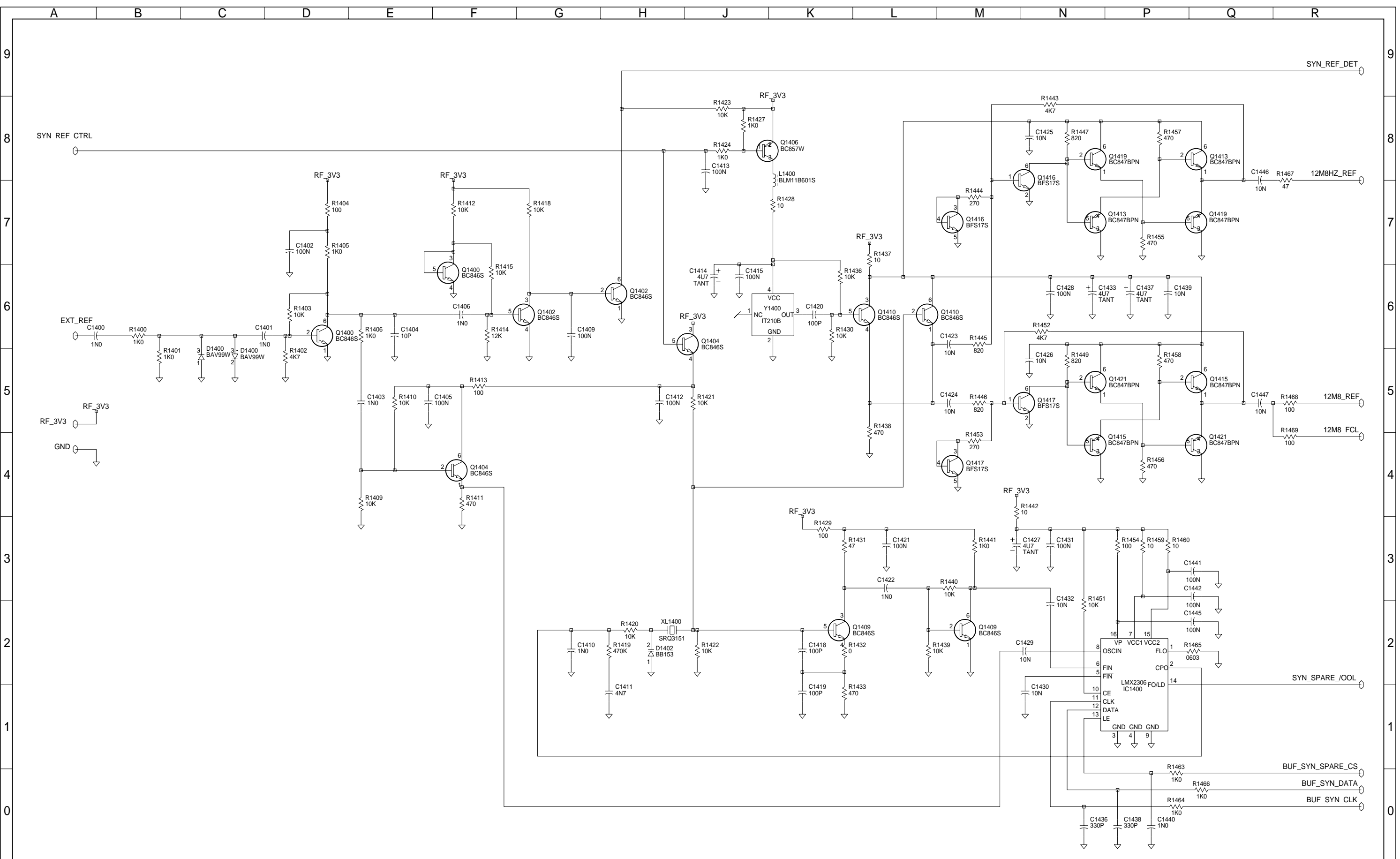


© TAIT ELECTRONICS

T8000
EXCITER VCO

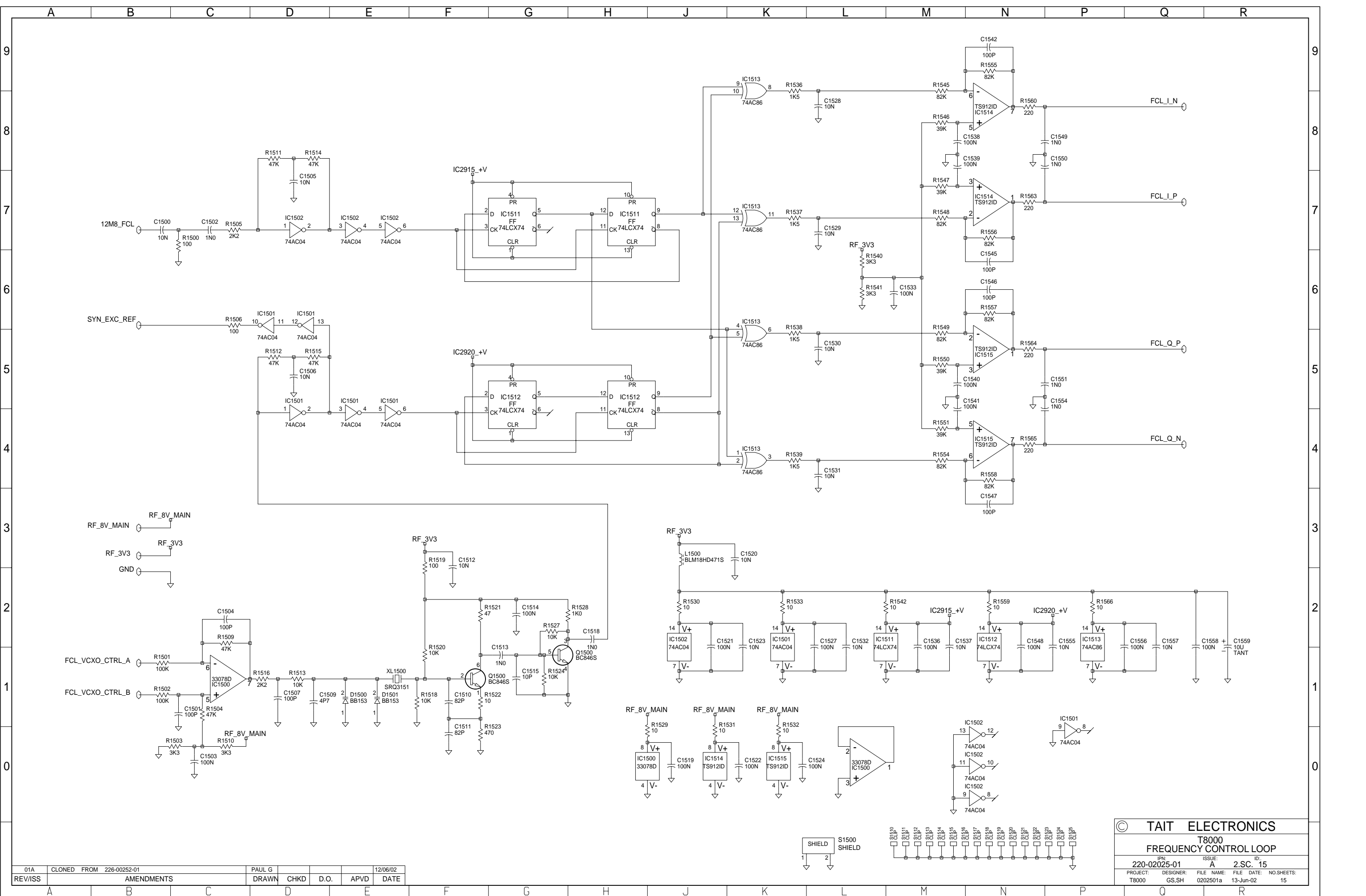
PROJECT: 220-02025-01 DESIGNER: GS.SH FILE NAME: 0202501a FILE DATE: 13-Jun-02 NO.SHEETS: 15

ISSUE: A ID: 2.SC. 13



© TAIT ELECTRONICS
T8000
EXTERNAL REFERENCE
 IPN: 220-02025-01 ISSUE: A ID: 2.SC. 14
 PROJECT: T8000 DESIGNER: GS.SH FILE NAME: 0202501a FILE DATE: 13-Jun-02 NO.SHEETS: 15

01A	CLONED FROM 226-00252-01	PAUL G			12/06/02
REV/ISS	AMENDMENTS	DRAWN	CHKD	D.O.	APVD DATE



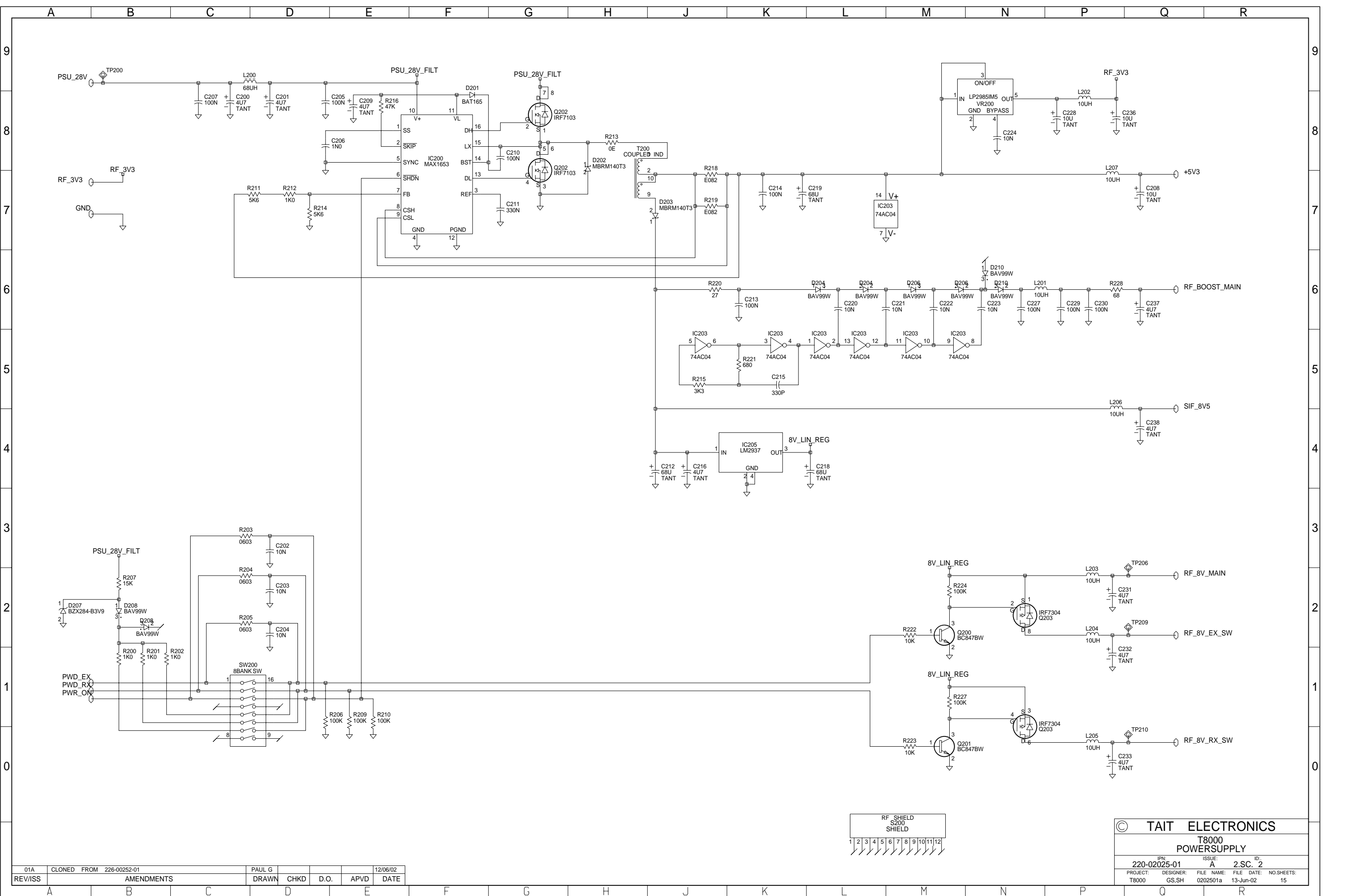
01A	CLONED FROM 226-00252-01	PAUL G			12/06/02
REV/ISS	AMENDMENTS	DRAWN	CHKD	D.O.	APVD DATE

© TAIT ELECTRONICS

T8000
FREQUENCY CONTROL LOOP

IPN: 220-02025-01 ISSUE: A ID: 2.SC. 15

PROJECT: T8000 DESIGNER: GS.SH FILE NAME: 0202501a FILE DATE: 13-Jun-02 NO.SHEETS: 15



01A	CLONED FROM 226-00252-01	PAUL G			12/06/02
REV/ISS	AMENDMENTS	DRAWN	CHKD	D.O.	APVD DATE

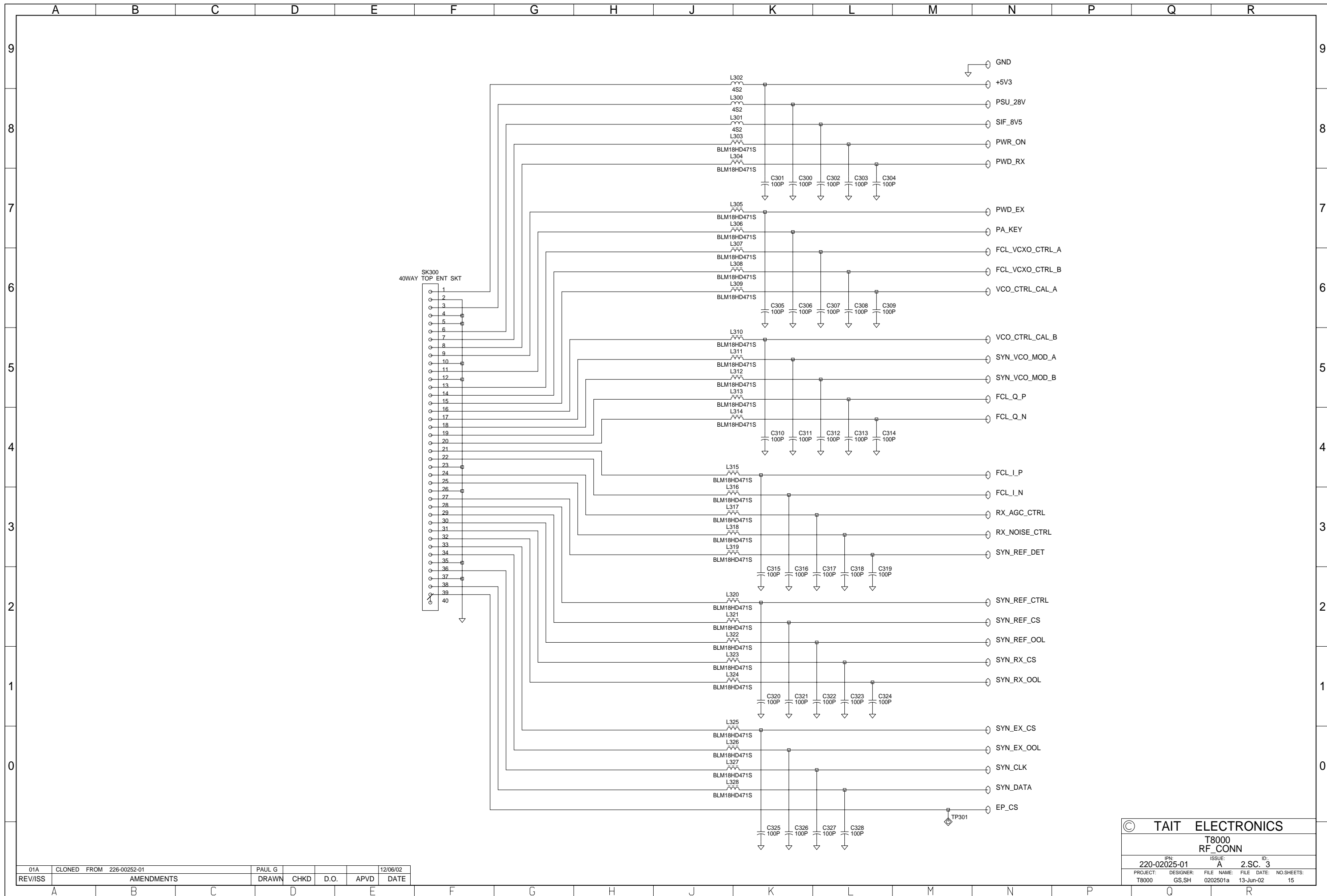
RF_SHIELD
S200
SHIELD

© TAIT ELECTRONICS

T8000
POWERSUPPLY

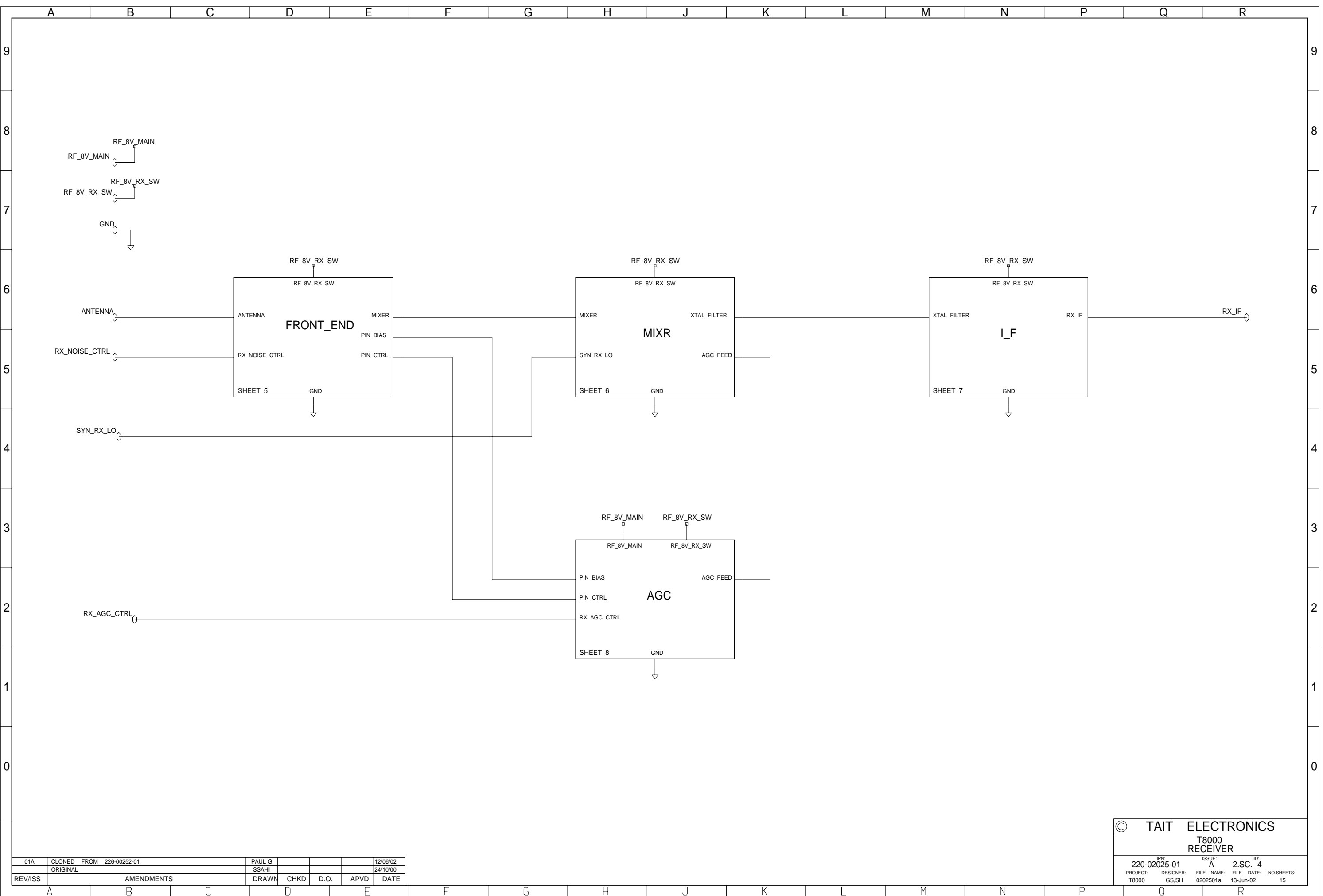
IPN: 220-02025-01 ISSUE: A ID: 2.SC. 2

PROJECT: T8000 DESIGNER: GS.SH FILE NAME: 0202501a FILE DATE: 13-Jun-02 NO.SHEETS: 15



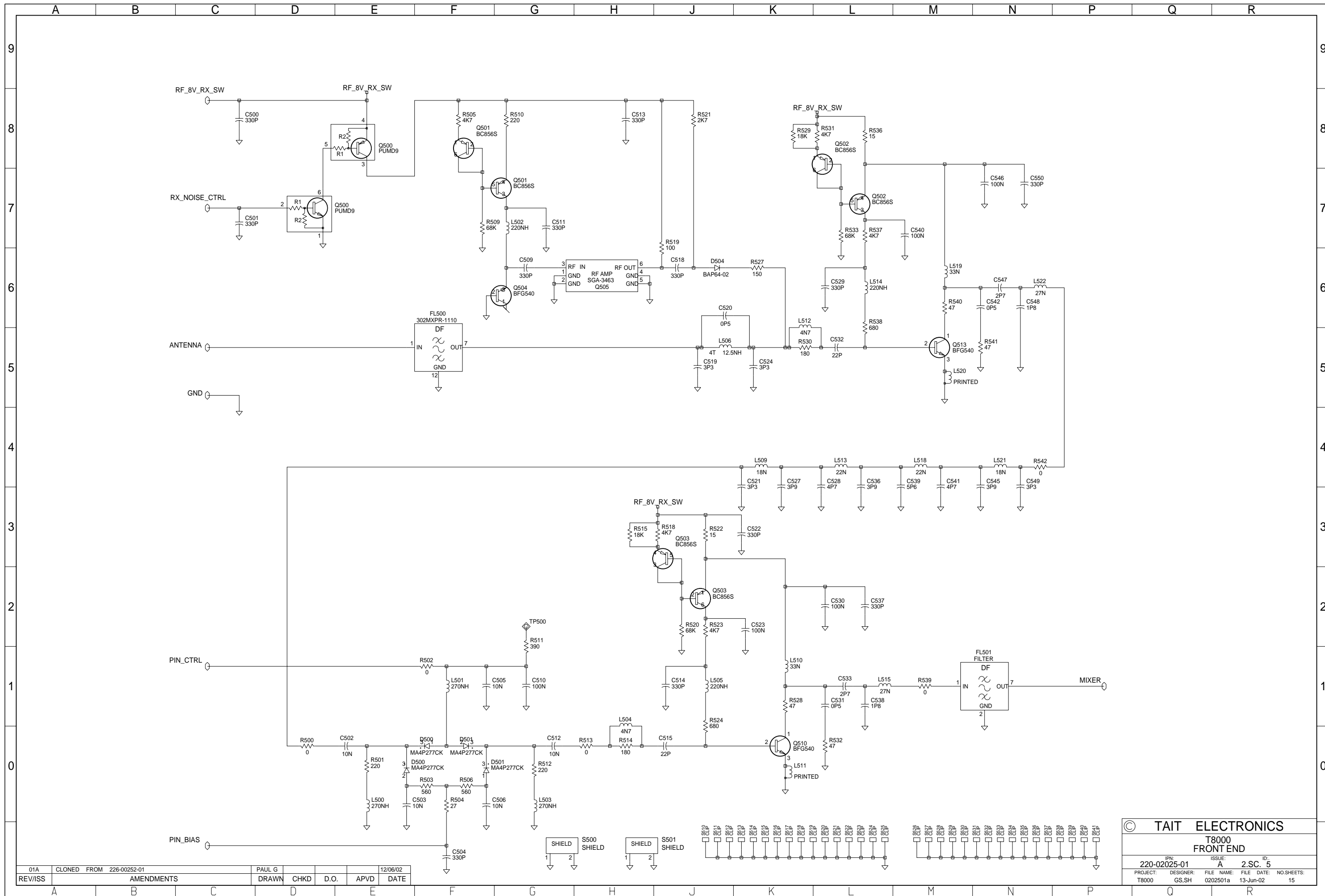
01A	CLONED FROM 226-00252-01	PAUL G			12/06/02
REV/ISS	AMENDMENTS	DRAWN	CHKD	D.O.	APVD DATE

© TAIT ELECTRONICS
 T8000
 RF_CONN
 IPN: 220-02025-01 ISSUE: A ID: 2.SC. 3
 PROJECT: T8000 DESIGNER: GS.SH FILE NAME: 0202501a FILE DATE: 13-Jun-02 NO.SHEETS: 15



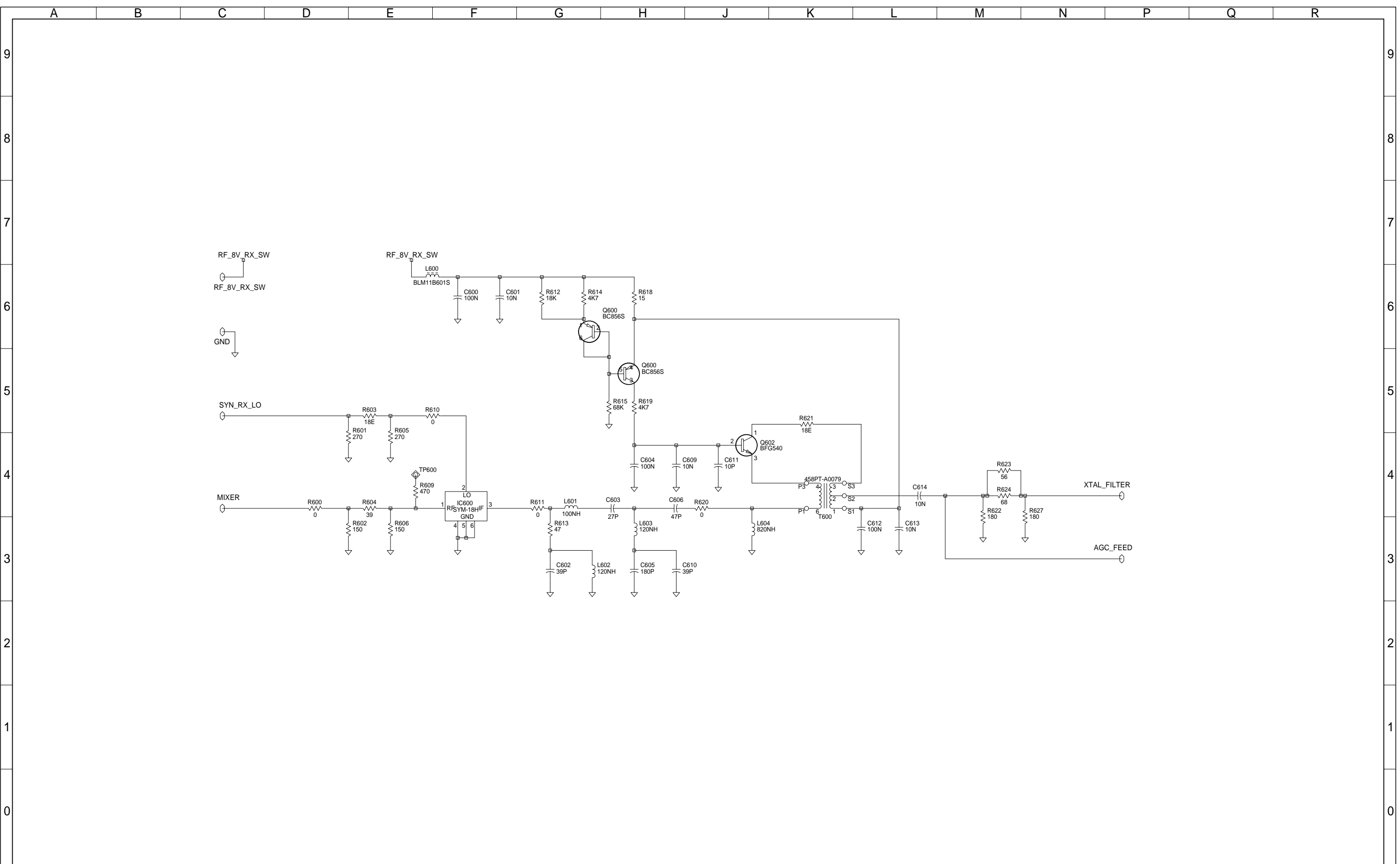
01A	CLONED FROM 226-00252-01	PAUL G			12/06/02
	ORIGINAL	SSAHI			24/10/00
REV/ISS	AMENDMENTS	DRAWN	CHKD	D.O.	APVD DATE

© TAIT ELECTRONICS					
T8000 RECEIVER					
IPN:	220-02025-01	ISSUE:	A	2.SC.	4
PROJECT:	T8000	DESIGNER:	GS.SH	FILE NAME:	0202501a
		FILE DATE:	13-Jun-02	NO.SHEETS:	15

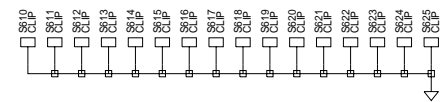
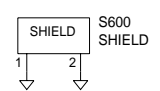


01A	CLONED FROM 226-00252-01	PAUL G			12/06/02
REV/ISS	AMENDMENTS	DRAWN	CHKD	D.O.	APVD DATE

© TAIT ELECTRONICS
T8000 FRONT END
 IPN: 220-02025-01 ISSUE: A ID: 2.S.C. 5
 PROJECT: T8000 DESIGNER: GS.SH FILE NAME: 0202501a FILE DATE: 13-Jun-02 NO.SHEETS: 15

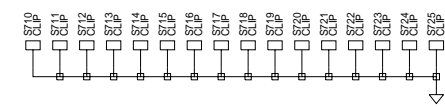
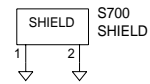
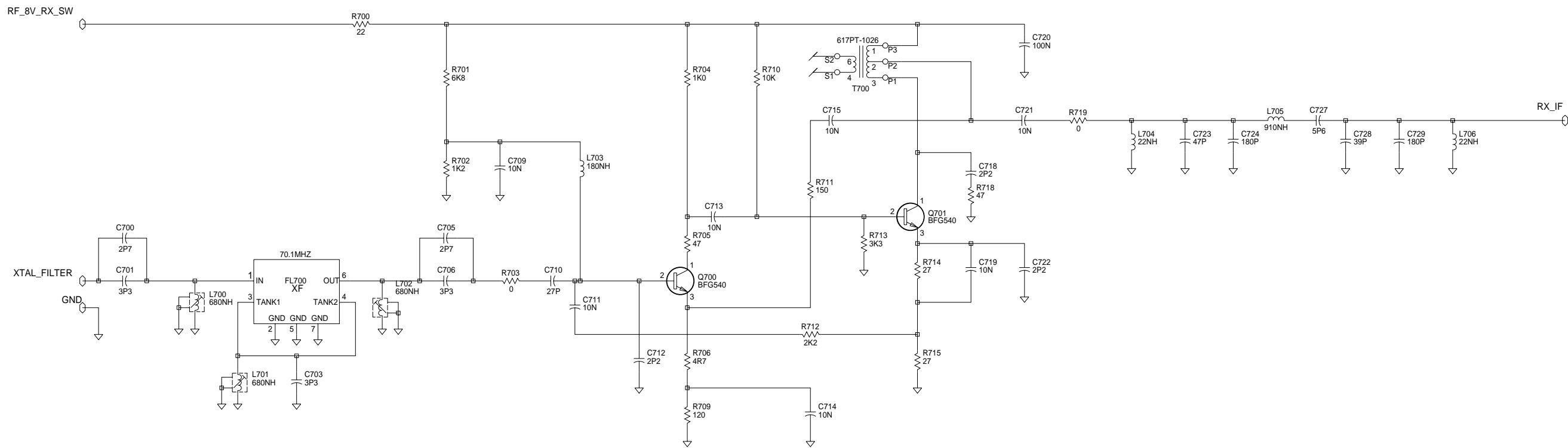


01A	CLONED FROM 226-00252-01	PAUL G			12/06/02
REV/ISS	AMENDMENTS	DRAWN	CHKD	D.O.	APVD DATE



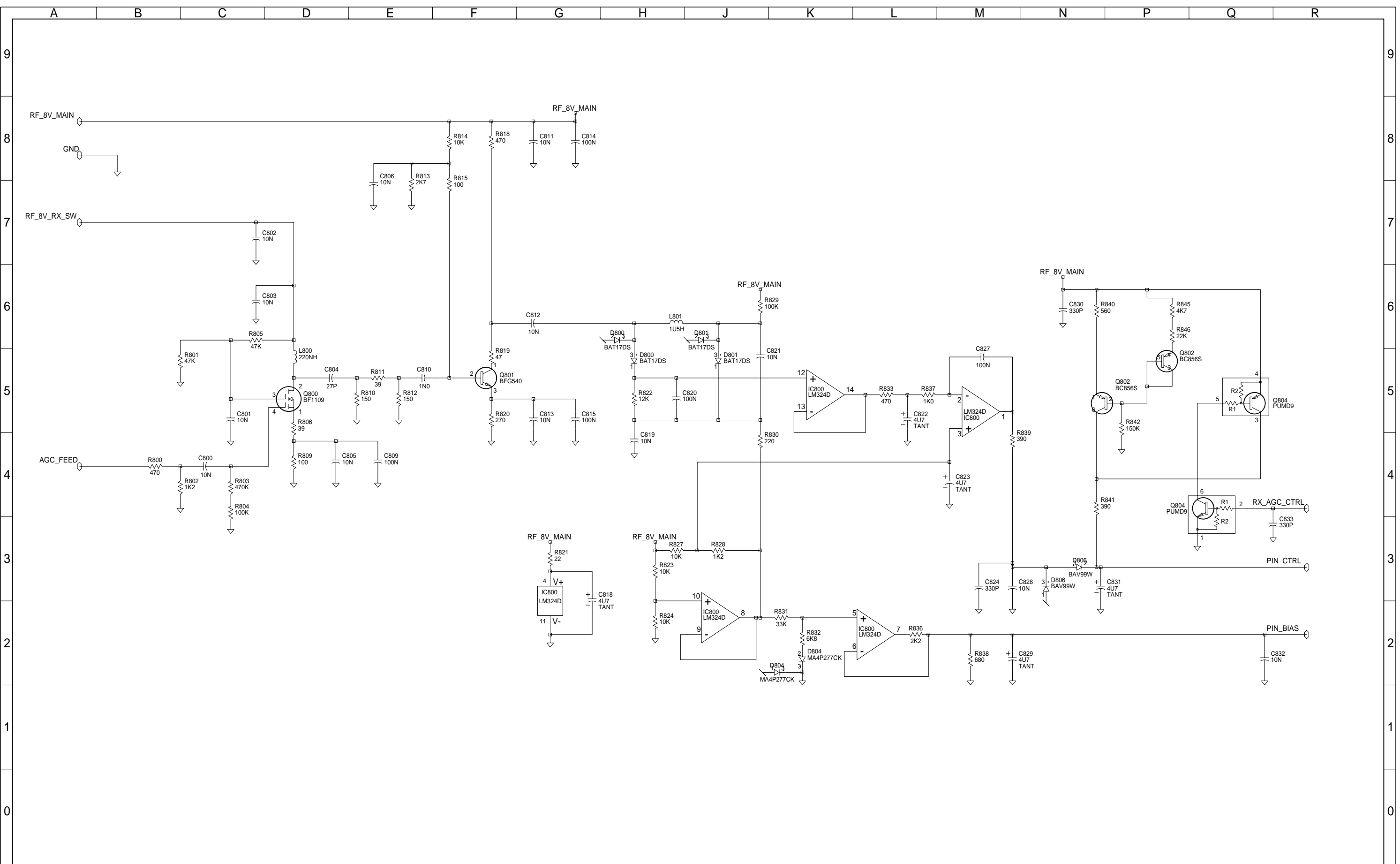
© TAIT ELECTRONICS			
T8000 MIXER			
IPN:	ISSUE:	ID:	
220-02025-01	A	2.S.C. 6	
PROJECT:	DESIGNER:	FILE NAME:	FILE DATE: NO.SHEETS:
T8000	GS.SH	0202501a	13-Jun-02 15

A B C D E F G H J K L M N P Q R

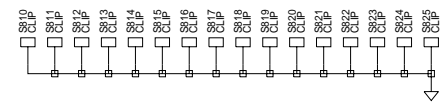
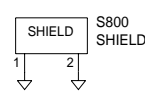


01A	CLONED FROM 226-00252-01	PAUL G				12/06/02
REV/ISS	AMENDMENTS	DRAWN	CHKD	D.O.	APVD	DATE

© TAIT ELECTRONICS					
T8000 IF					
IPN:	ISSUE:	ID:			
220-02025-01	A	2.SC. 7			
PROJECT:	DESIGNER:	FILE NAME:	FILE DATE:	NO.SHEETS:	
T8000	GS.SH	0202501a	13-Jun-02	15	



01A	CLONED FROM 226-00252-01	PAUL G			12/06/02
REV/ISS	AMENDMENTS	DRAWN	CHKD	D.O.	APVD DATE

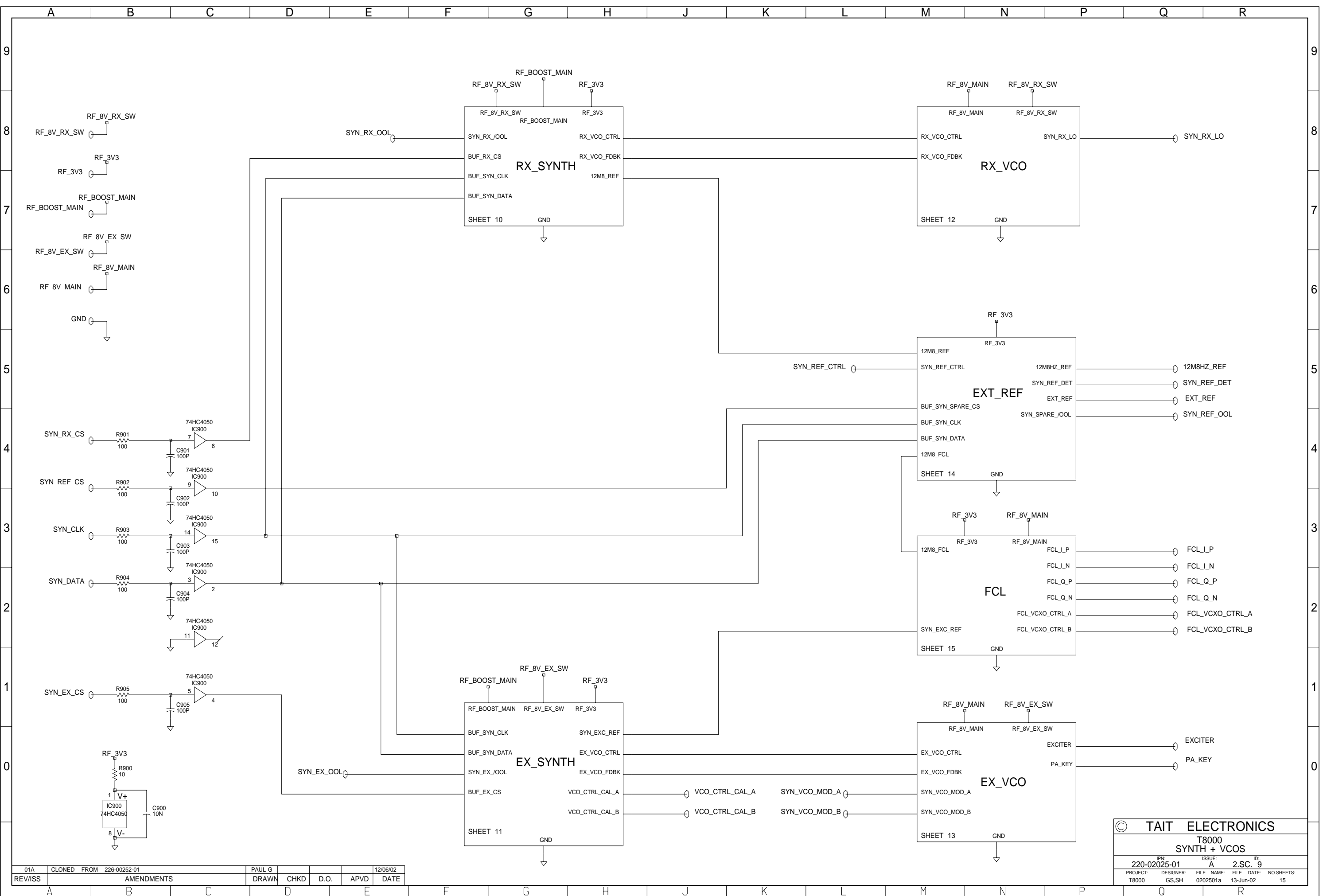


© TAIT ELECTRONICS

T8000 AGC

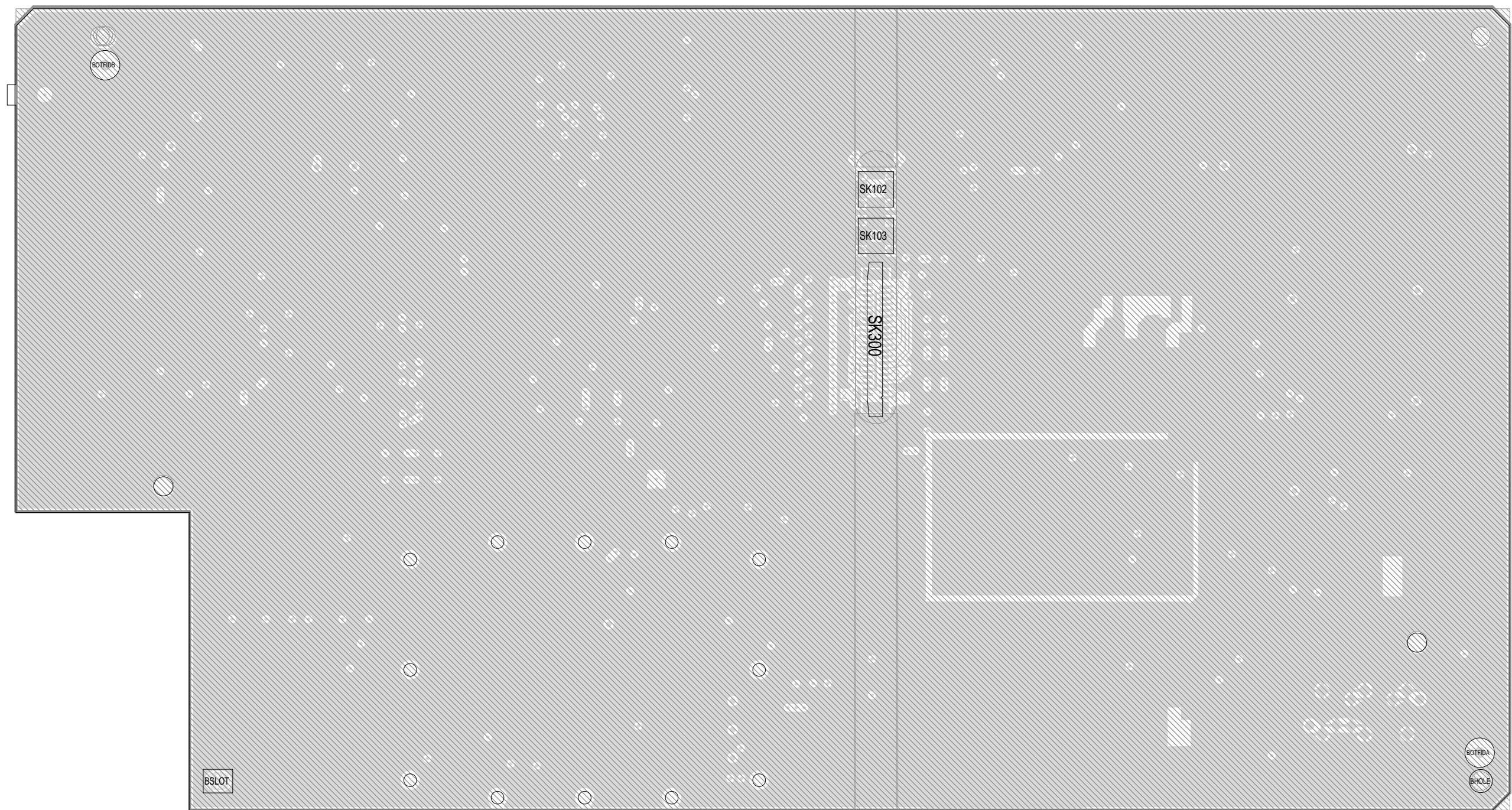
IPN: 220-02025-01 ISSUE: A ID: 2.SC. 8

PROJECT: T8000 DESIGNER: GS.SH FILE NAME: 0202501a FILE DATE: 13-Jun-02 NO.SHEETS: 15



01A	CLONED FROM 226-00252-01	PAUL G			12/06/02
REV/ISS	AMENDMENTS	DRAWN	CHKD	D.O.	APVD DATE

© TAIT ELECTRONICS
T8000
SYNTH + VCOS
 IPN: 220-02025-01 ISSUE: A ID: 2.S.C. 9
 PROJECT: T8000 DESIGNER: GS.SH FILE NAME: 0202501a FILE DATE: 13-Jun-02 NO.SHEETS: 15



Q P N M L K J H G F E D C B A

9
8
7
6
5
4
3
2
1

TAIT ELECTRONICS	IPN: 220-02025-01	ISS: A	ID: 4.BA	DATE: 20 Jun 2002
RECITER4_RF PCB LAYOUT - BOTTOM SIDE				

Scale: 1.3:1 ; Rotation: 0 degrees